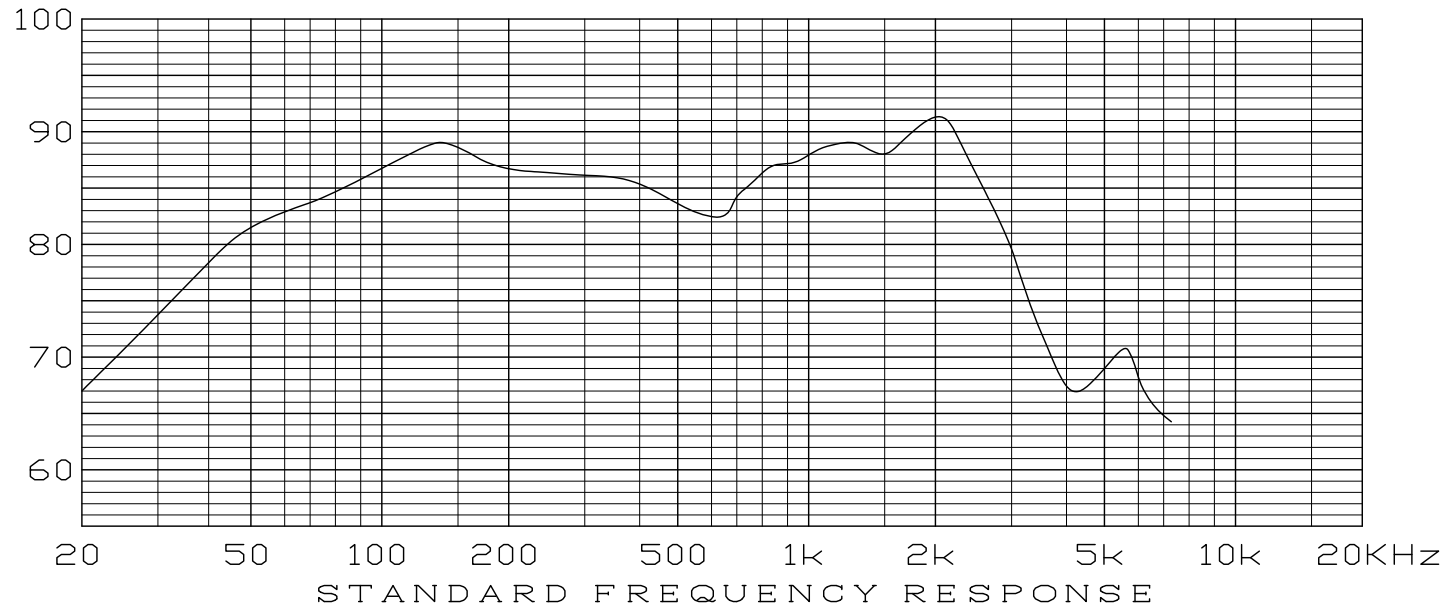
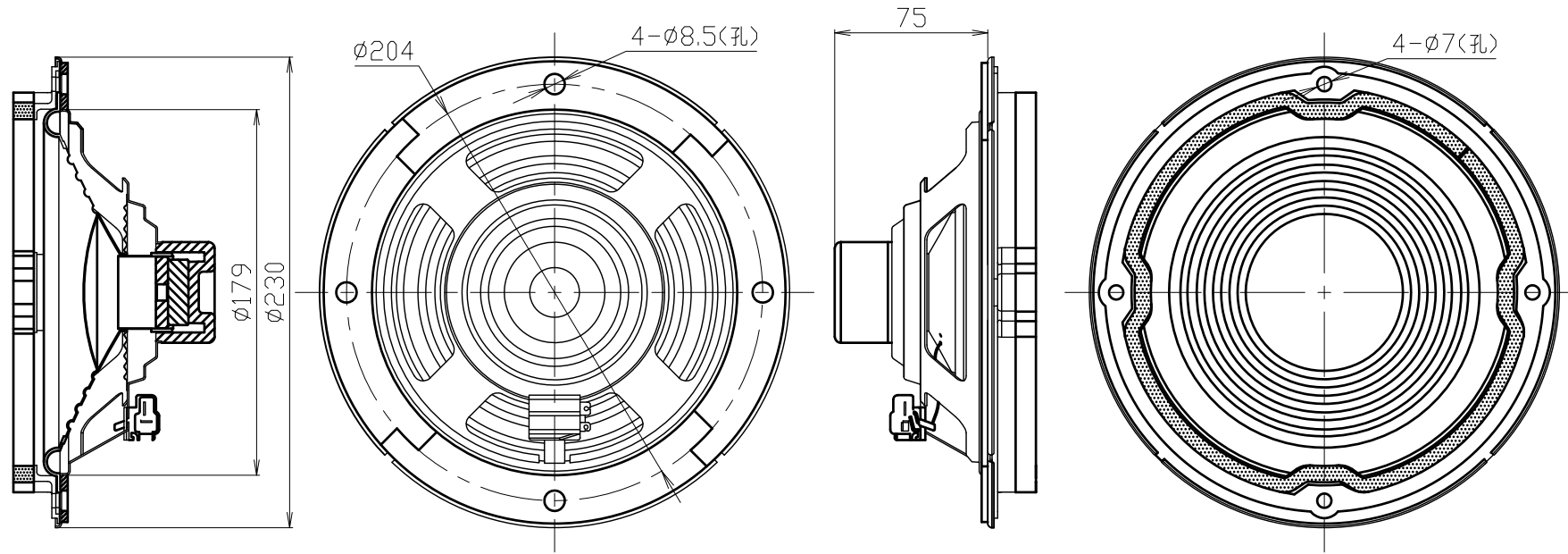


サブウーハー



SPECIFICATION

INPUT POWER	Nom.50W Max.100W
IMPEDANCE	4.0 Ω
RESONANCE FREQUENCY(F0)	40Hz
SOUND PRESSURE LEVEL	88.0db
FREQUENCY RENG	F ₀ ~500Hz
WEIGHT	700g