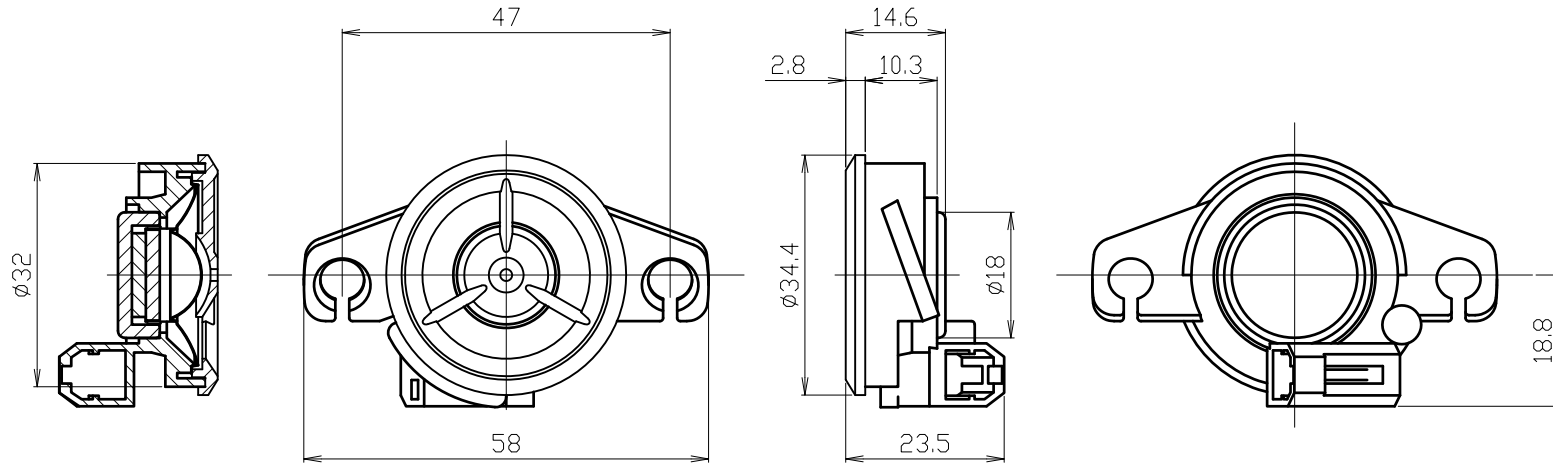


ツイーター



SPECIFICATION

INPUT POWER	Nom,25W Max,40W
IMPEDANCE	4,0Ω
SOUND PRESSURE LEVEL	85,0db
FREQUENCY RENG	3~20KHz
WEIGHT	20g

